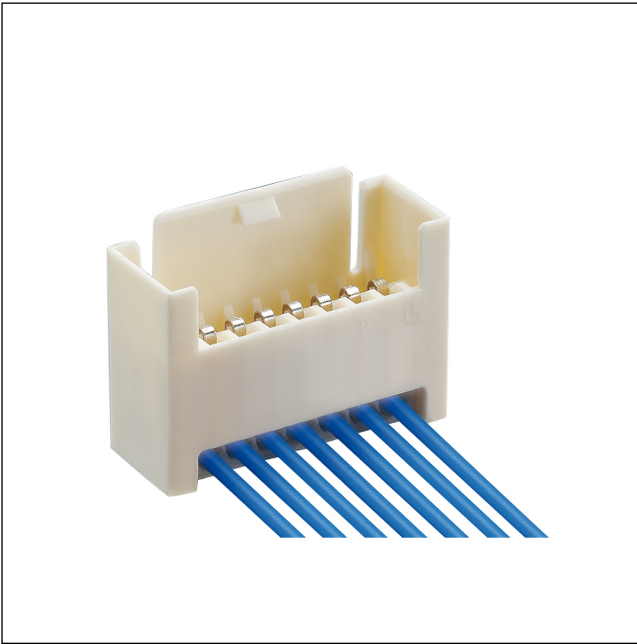


35

3541

RAST 2.5 connectors, pitch 2.5/5.0 mm

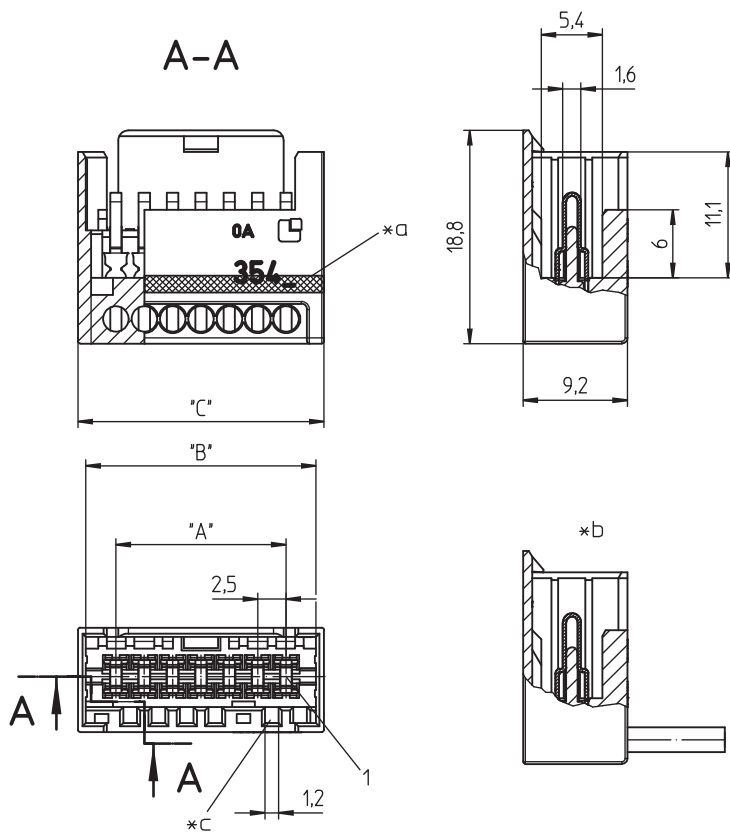


RAST 2.5 pin header, insulation displacement technology (IDT), with locking latch
contact pitch 2.5 mm

Approvals:



35 3541



- *a blue color marking on 3541 (M..)S01
- *b terminated connector
- *c keying

Environmental conditions

Temperature range -40 °C/+120 °C¹

¹ upper limit temperature (insulating body) RTI (electrical) of the UL Yellow Card

Materials

Insulating body PA GF, V-0 according to UL94 – 3541 M13(S..) ¹

Contact pin CuSn, tin-plated

¹ component glow wire resistant (GWT 750 °C), testing acc. to IEC 60695-2-11, assessment acc. to IEC 60335-1 (flame < 2 s)

Mechanical data

Keying proposals at www.lumberg.com 

Connectable conductors for IDT area

Construction discrete conductor, notched flat cable 2.5 mm

Section min. 0.22 mm²

Section max. 0.38 mm²

Insulation diameter ≤ 1.65 mm

Approved cables at www.lumberg.com 

Electrical data (at T_{amb} 20 °C)

Rated current 4 A (0.22–0.38 mm², T_{amb} 60 °C, VDE)

2 A (0.22–0.38 mm², T_{amb} 110 °C, VDE)

4 A (0.34 mm², cULus)

2 A (0.25 mm², cULus)

Rated voltage 32 V AC¹

Material group IIIa (IEC)/2 (UL) (CTI ≥ 250)¹

Creepage distance 1.32 mm

Clearance 1.50 mm

Insulation resistance > 1 GΩ


¹ according to IEC 60664/DIN EN 60664, CTI UL classification according to ANSI/UL 746A

Associated products

Counterparts


 3521

 3521-2

 352100

Harnessing equipment

 HA3..e


 HA354e-ST

 HZ354


 KHP354

 VARICON 7000

 VARICON 7000-DC

 VARICON 7000-DC-CR

 VARICON 7000-Eco

 VARICON 7000-Eco-CR

[VARICON 7000-Inline](#) [VARICON 7000-Inline-CR](#) [VARICON 7000-RD](#)
[VARICON 7000-RD-CR](#)

Designation	Pole Number	PU (Pieces)	MDQ (Pieces)	Dimensions		
				A (mm)	B (mm)	C (mm)
3541 02	2	500	1000	2.5	7.6	9.2
3541 03	3	500	1000	5.0	10.1	11.7
3541 04	4	500	1000	7.5	12.6	14.2
3541 05	5	500	1000	10.0	15.1	16.7
3541 06	6	500	1000	12.5	17.6	19.2
3541 07	7	500	1000	15.0	20.1	21.7
3541 08	8	500	1000	17.5	22.6	24.2
3541 09	9	500	1000	20.0	25.1	26.7
3541 10	10	500	1000	22.5	27.6	29.2
3541 11	11	500	1000	25.0	30.1	31.7
3541 12	12	500	1000	27.5	32.6	34.2
3541 13	13	500	1000	30.0	35.1	36.7
3541 14	14	500	1000	32.5	37.6	39.2
3541 15	15	500	1000	35.0	40.1	41.7
3541 16	16	500	1000	37.5	42.6	44.2
3541 17	17	500	1000	40.0	45.1	46.7
3541 18	18	500	1000	42.5	47.6	49.2
3541 19	19	500	1000	45.0	50.1	51.7
3541 20	20	500	1000	47.5	52.6	54.2

Designation to be completed by further details (e.g. for keying, color or material options).

Packaging:

in bulk, in a cardboard box – in bar stock carriers upon request